



KMA Genuine Approved Accessories (Preparation)

Vehicle Model	SOUL	Accessory	POUCH CARGO NET
Model Year	2010 ~	Difficulty	(B)
KMA Part No.	U8170 2K000 / U8170 2K0P0	Pamphlet No.	0000001
Vendor Part No.	5INS081290KA	Revision No.	02/27/09

- Preparation
- Disassembly
- Accessory Installation
- Function Check
- Visual Check

Note: Difficulty stated above reflects the minimum level of expertise required to install the accessory
 (A) Customer (B) Dealer Technician (C) Master Technician

Instructional Symbols / Definitions

	Denotes warnings that may lead to serious physical injury or vehicle damage.		Denotes quality processes to be checked prior to moving to the next step.	Denotes safety equipment required to be used such as a mask, goggles, rubber gloves, and hearing protection.	
	Denotes cautions to be taken to avoid physical injury or electronic component damage.		Denotes specific tools that are necessary to complete the step.		
	Denotes cautions to be taken to avoid vehicle and component damage.	NOTE	Denotes instructional steps necessary to complete the process.		
				Mask	Goggles
				Rubber Gloves	Hearing Protection

Basic Required Hand Tools

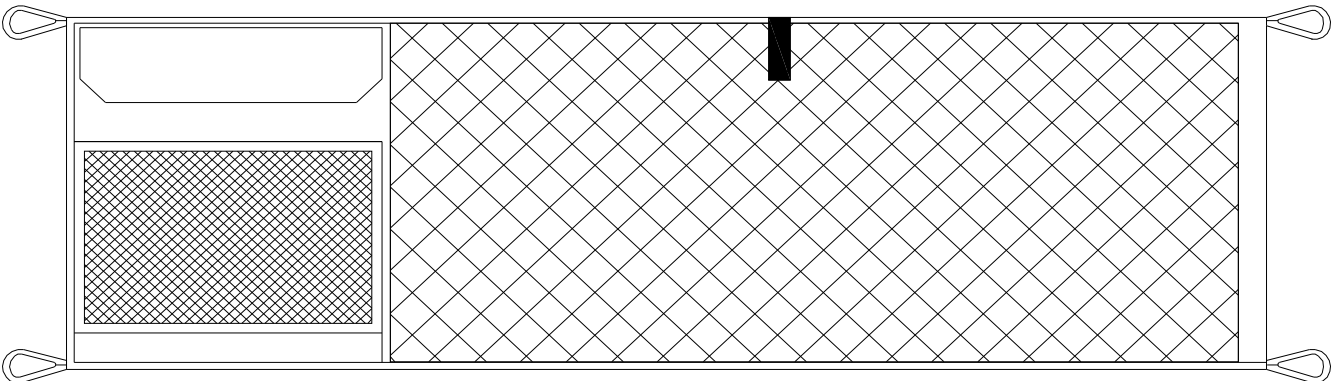
DRILL	1/2" (13mm) DRILL BIT	1/4" (6mm) DRILL BIT	DRILL STOP - 1/4" & 1/2"
CENTER PUNCH			

Notes to the Installer

- Read the entire installation pamphlet prior to beginning the installation of the accessory.
- Ensure that the vehicle is properly protected in the area that the accessory is to be installed.
- To prevent vehicle damage, never place tools on top of painted surfaces, seats, dash pad, console or floor carpet / mat.
- Always wear appropriate safety gear to include gloves and eye protection when required.
- Prior to disconnecting negative lead to the battery, note on the inspection page the AM/FM and satellite set frequencies.

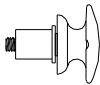
KMA Genuine Approved Accessories (Preparation)

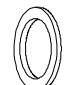
Kit Overview



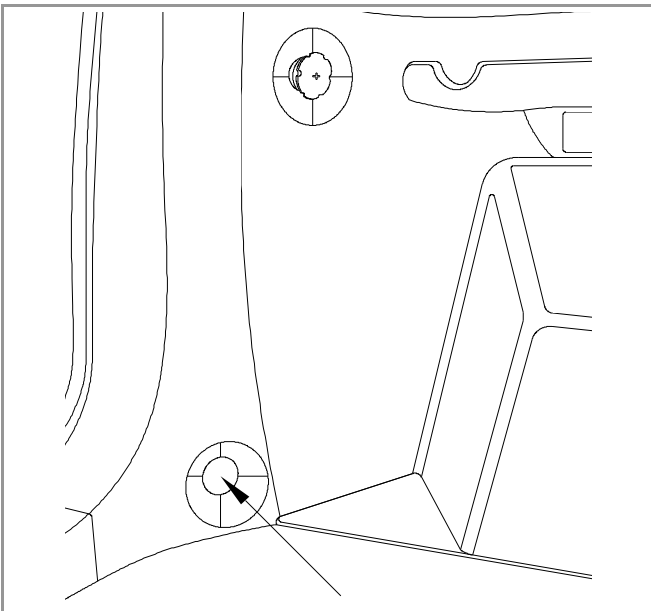
No.	Qty.	Description	No.	Qty.	Description	No.	Qty.	Description
1	1	POUCH CARGO NET						

Hardware Overview

A	
2	Mushroom Assembly

B	
2	Washer

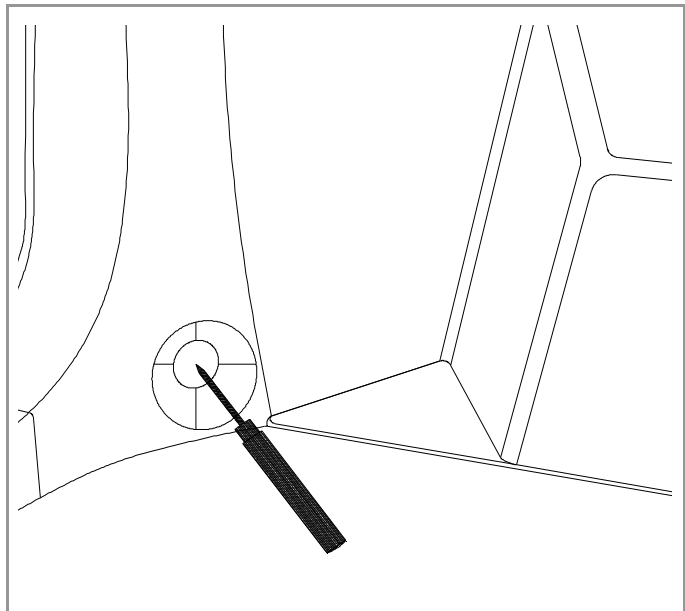
Hardware Kit Total	
4	



1

**N
O
T
E**

Open the rear hatch and locate the lower recessed area on panel, as shown by the arrow.



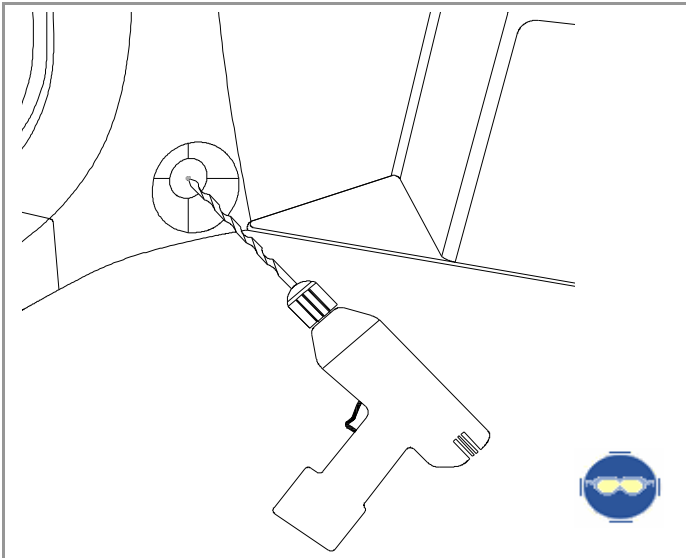
Center Punch

2

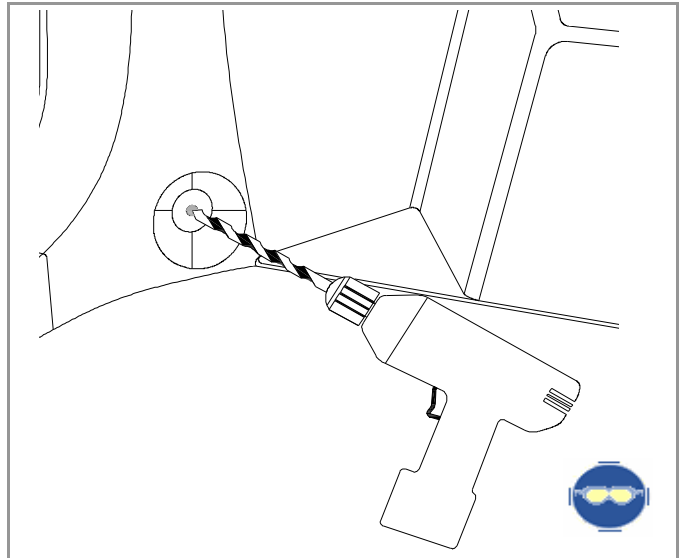
**N
O
T
E**

Using the center punch tool, make an indentation in the center of the recessed area as shown above.

KMA Genuine Approved Accessories (Preparation)

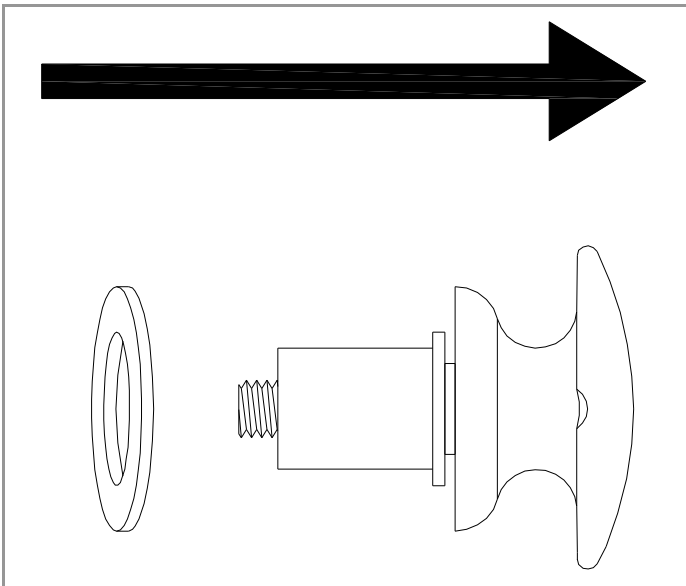


	Drill, 1/4" (6mm) Drill Bit, Drill Stop	3
N O T E	Drill a pilot hole on indentation of recessed area, using drill with 1/4" bit and drill stop.	
	Drill only on indentation of recessed area. Make sure drill stop is used.	

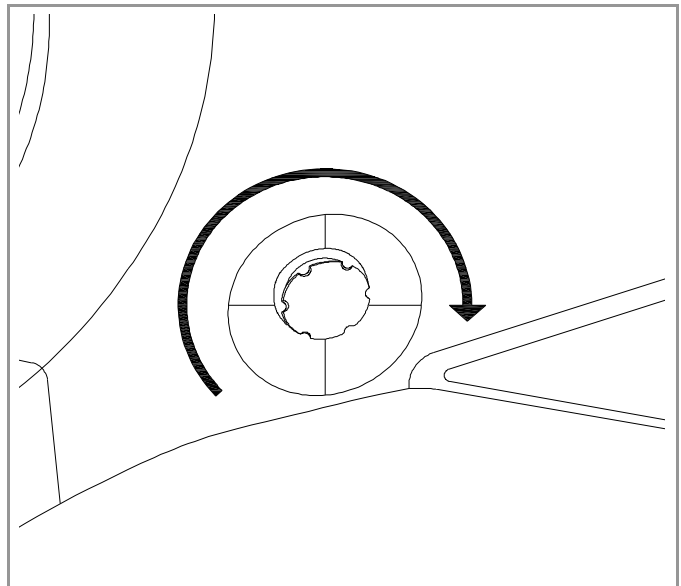


	Drill, 1/2" (13mm) Drill Bit, Drill Stop	4
N O T E	Enlarge hole using drill with 1/2" bit and drill stop.	
	Drill only on small 1/4" hole. Make sure drill stop is used.	

KMA Genuine Approved Accessories (Preparation)

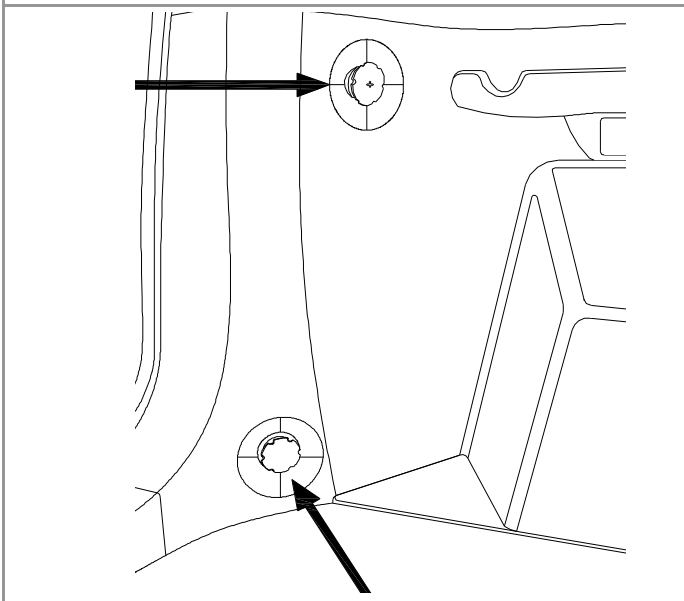
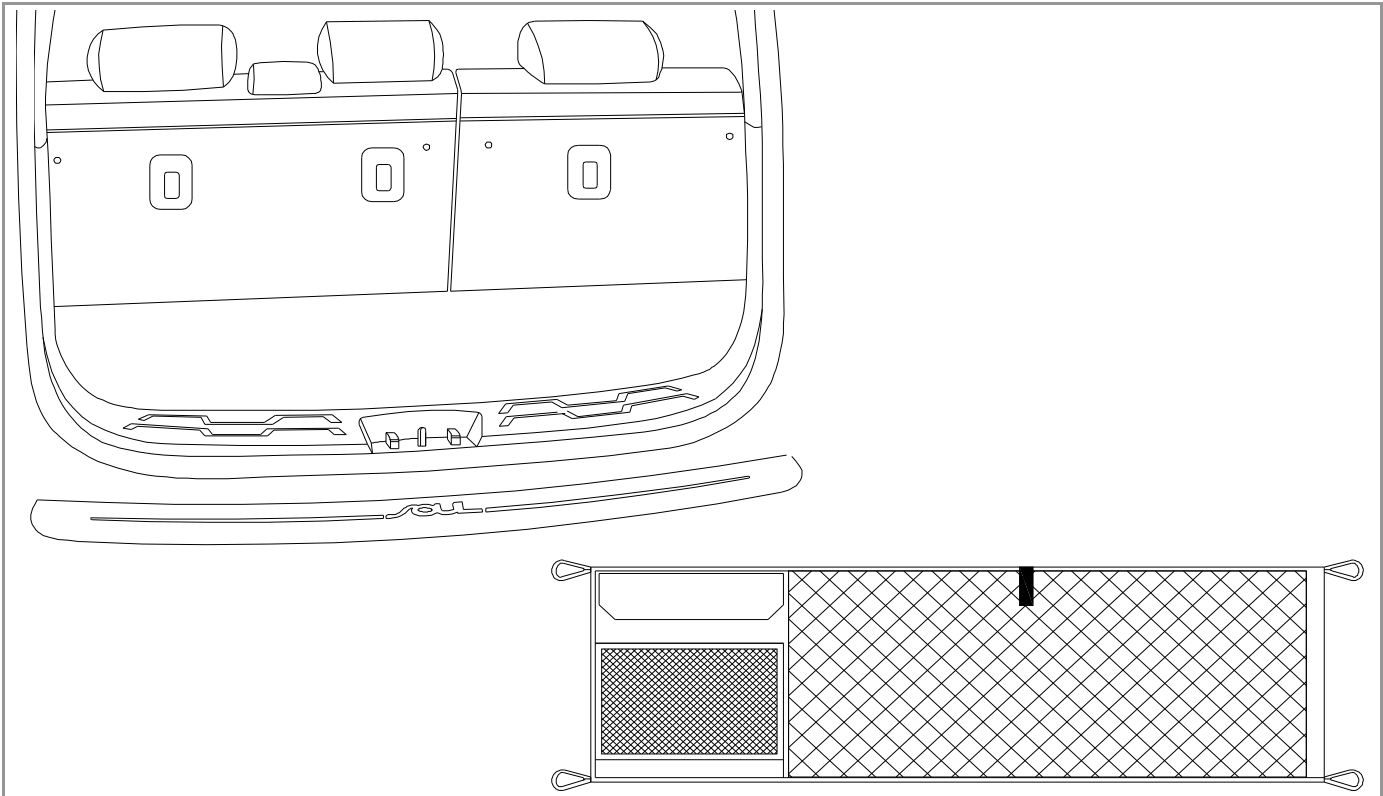


5		
N O T E	Install washer over mushroom assembly.	



6		
N O T E	Insert rubber wellnut of mushroom assembly into 1/2" hole. Twist mushroom anchor in clockwise rotation until tight. Repeat steps 2-6 on opposite side.	
	Ensure mushroom anchor assembly is tightened securely	

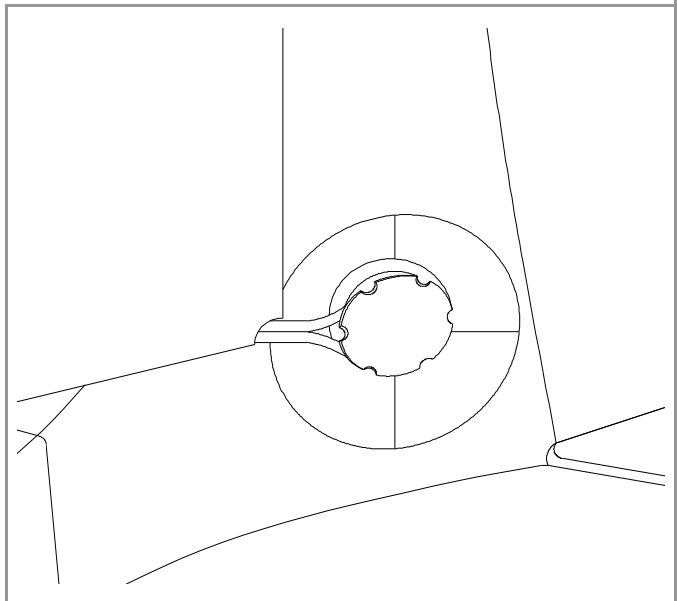
KMA Genuine Approved Accessories (Accessory Installation)



1

**N
O
T
E**

Open the rear hatch and locate the anchor positions as shown by the arrows.



2

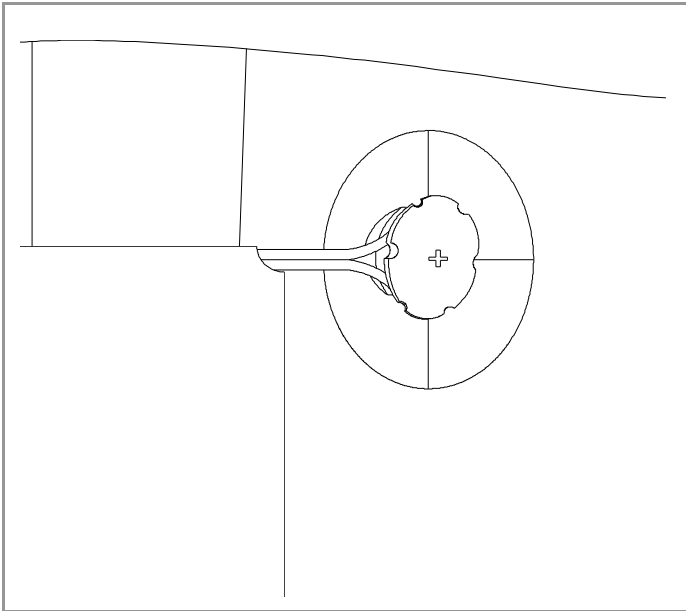
**N
O
T
E**

Attach the loop at the bottom of the net to the lower anchor as shown. Repeat for the opposite side of the vehicle.



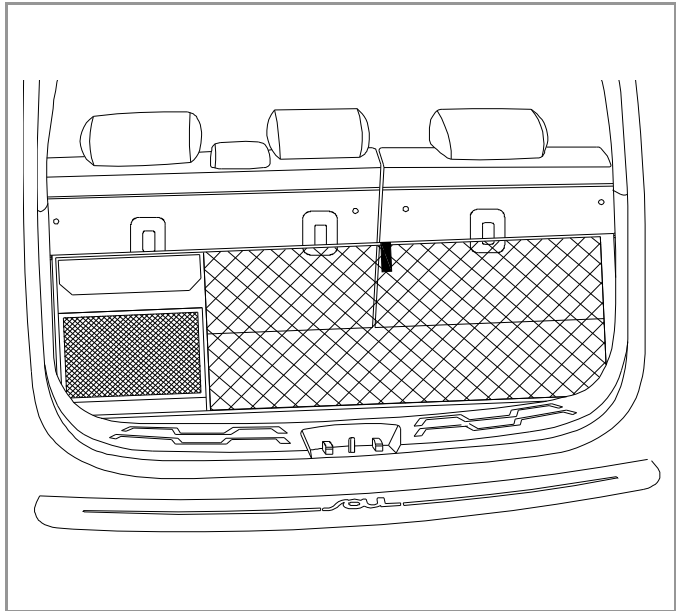
Ensure net opening is at the top.
Ensure the pull handle is facing rearward.

KMA Genuine Approved Accessories (Accessory Installation)



3


**N
O
T
E** Attach the loop at the top of the net to the upper anchor as shown. Repeat for the opposite side of the vehicle.




4

**N
O
T
E** Completed assembly.

KMA Genuine Approved Accessories (Function Check)

Items To Be Checked	Results of the Check
 Pull handle location.	Pull handle to face rear of vehicle.

KMA Genuine Approved Accessories (Visual Check)

Items To Be Checked	Results of the Check
 Net opening.	Net opening must be at the top.